

Antenna, Whip Hinge

ERF4024

Description

The ERF4024 antenna is an 2,4 / 5GHz antenna with a SMA male connector. The antenna can also be used in the frequency band of 800 MHz. The antenna can be used for applications such as, GSM, Wifi, BLE and Zigbee.

Technology

- WiFi
- BLE
- Zigbee



Features

Electrical Properties	Description		
Frequency marker	Frequency band MHz	Return loss dB	V.S.W.R.
1	2.400	-26,8	< 1.1
2	5.000	-10,6	< 1.8
3	5.800	-5,9	< 3.1
Nominal Impedance	50 Ω		
Polarization	Vertical		

Antenna, Whip Hinge

ERF4024

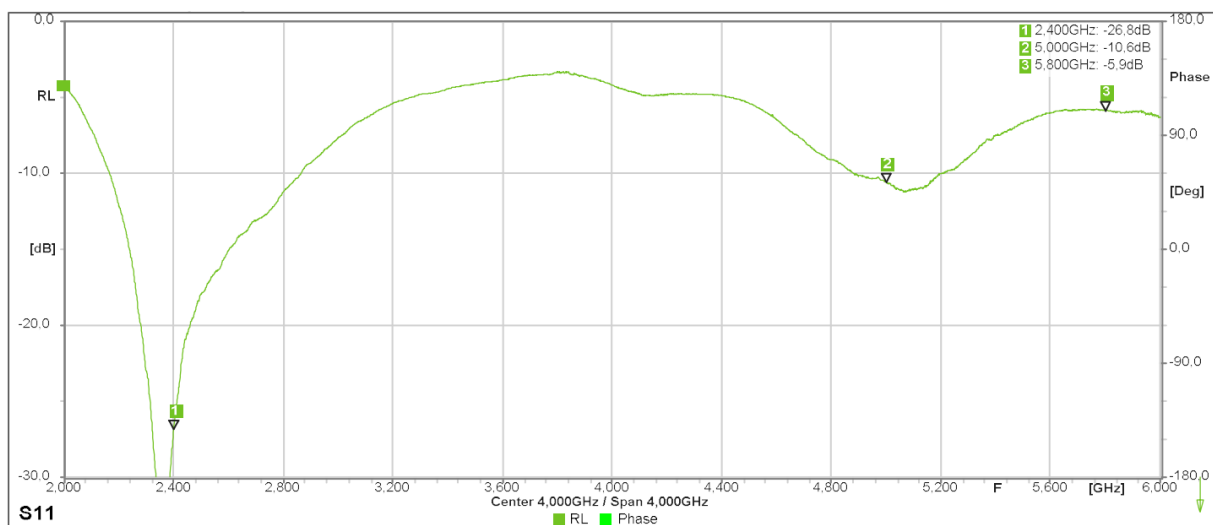
Mechanical Properties

Description

Antenna	External Antenna
Mounting	Terminal screw connector
Connector	SMA Male
Dimensions	104 mm ± 2
Color	Black
Operating Temperature	-30°C~+70°C
Storage Temperature	-30°C~+70°C

Antenna Properties

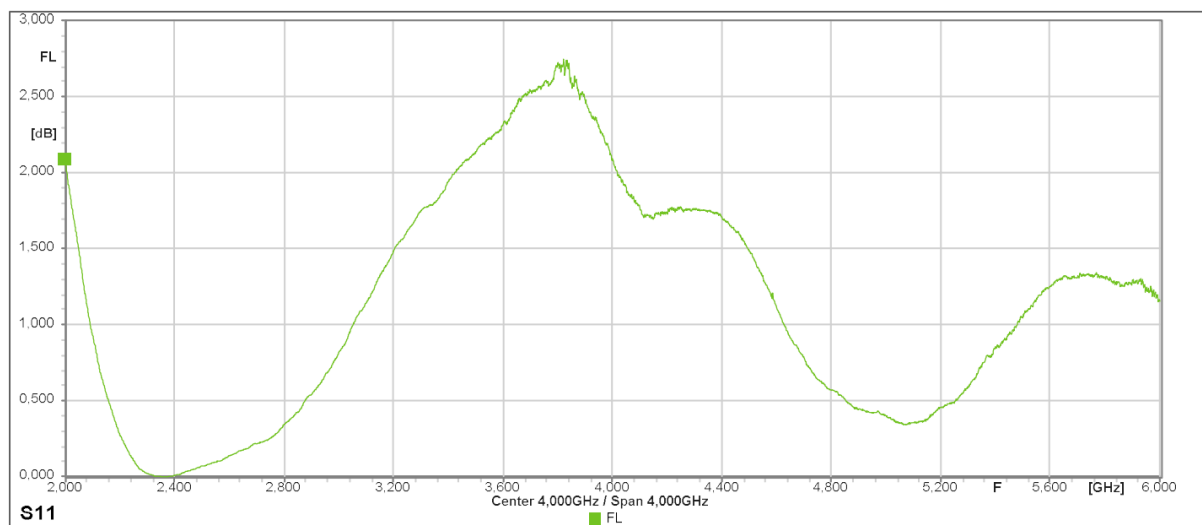
Return Loss



Antenna, Whip Hinge

ERF4024

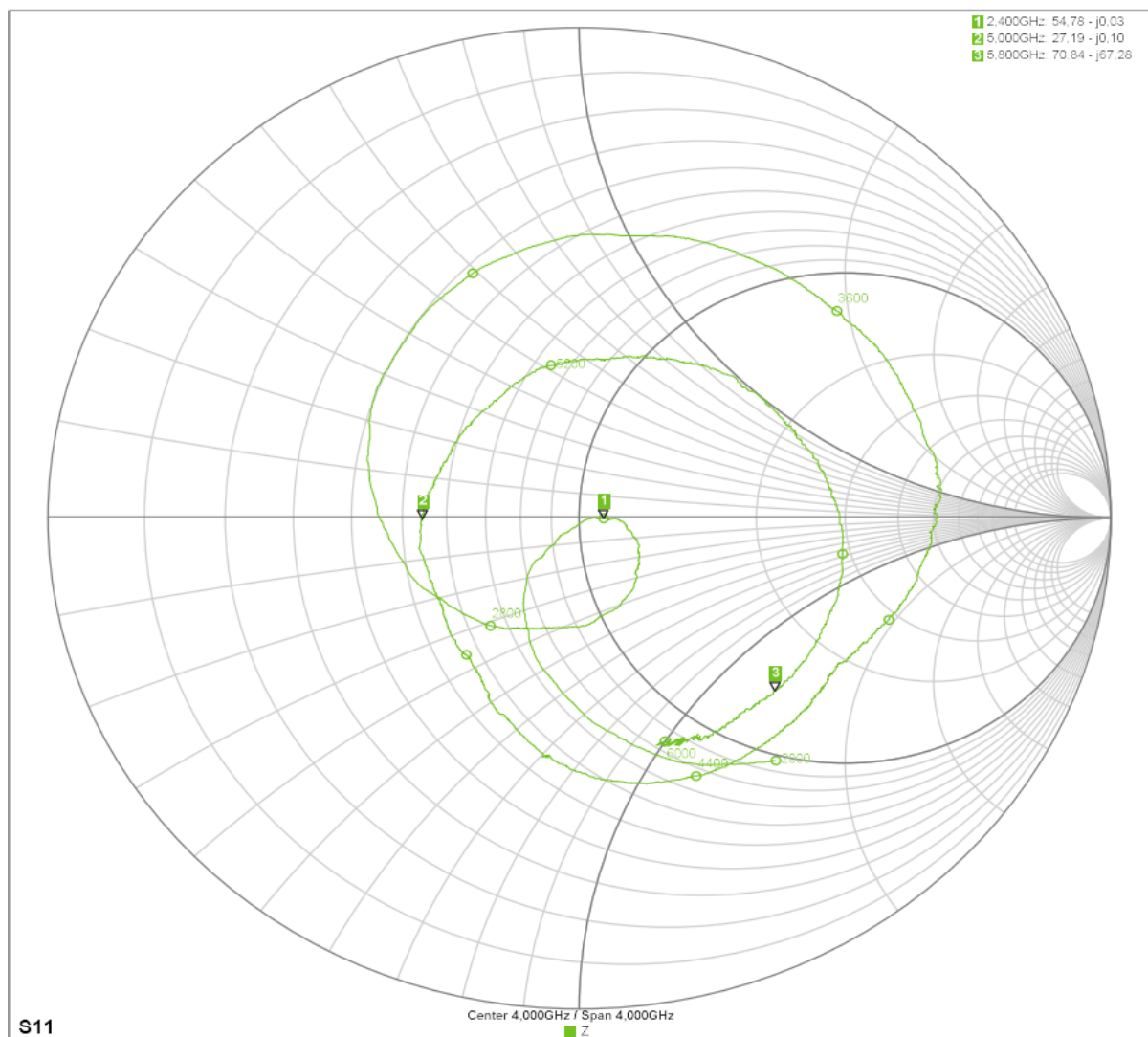
Forward Loss



Antenna, Whip Hinge

ERF4024

Impedance

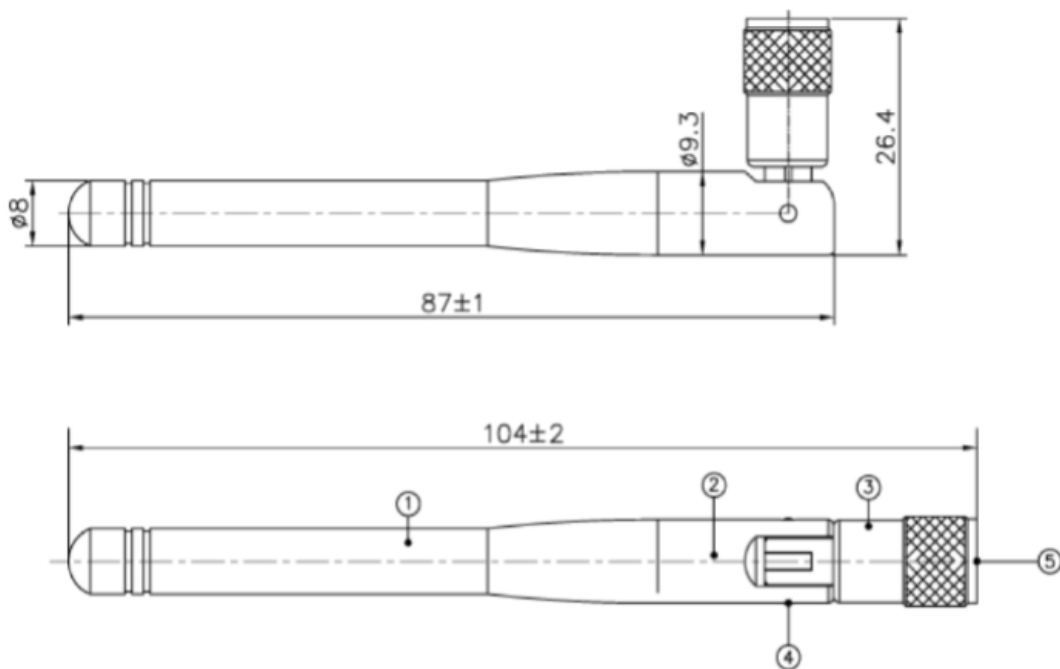


Antenna, Whip Hinge

ERF4024

Dimensions

*unit: mm



Connector



The ERF4024 uses a SMA male connector.

Antenna, Whip Hinge

ERF4024



Ordering information

Ordering can be done via www.summit-electronics.com or via info@summit-electronics.com. Please contact us for more information. Customisation of the product is available on request.

Technical support

For all product questions please contact us via info@summit-electronics.com

Document revision

Rev	Date	changes
V01.00	06-04-2023	First issue of document